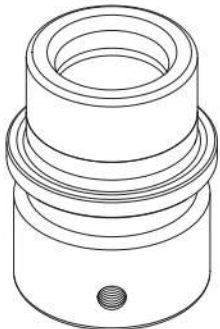
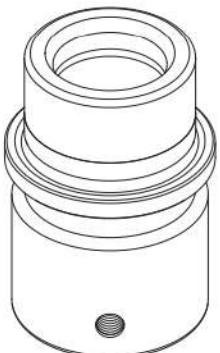


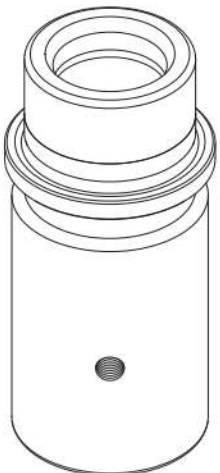
Short Shoulder Bushings



Shoulder Bushings



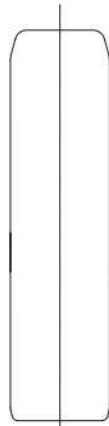
Long Shoulder Bushings



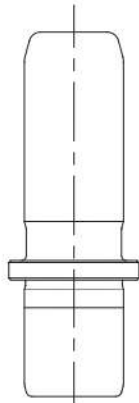
Extra Long Shoulder Bushings

Case Hardened
60 - 64 HRC

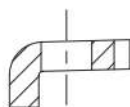
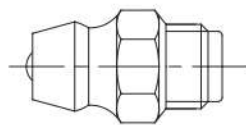
To be used with



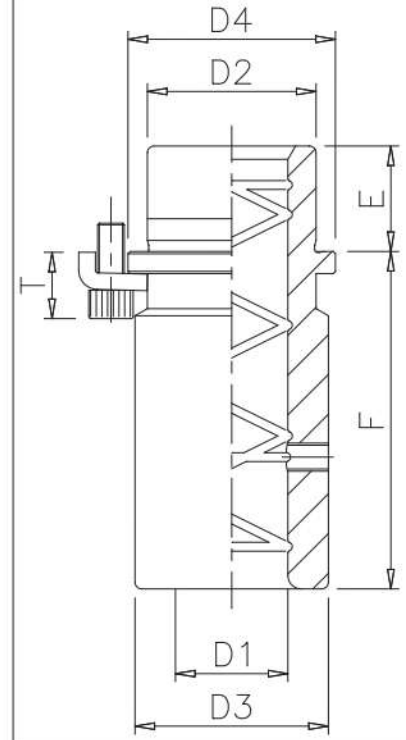
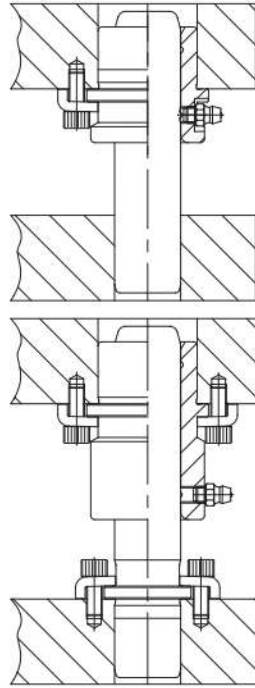
Straight Guide Pillar



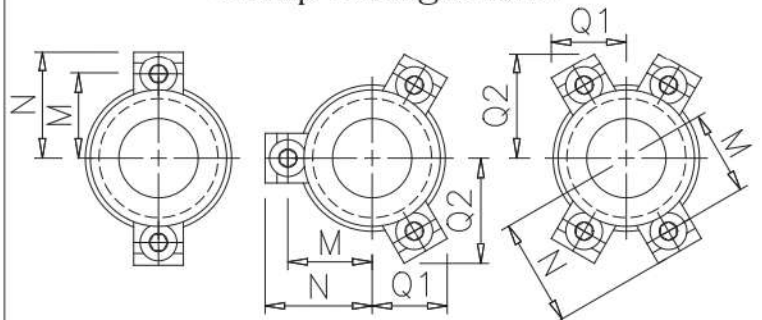
Demountable Guide Pillar



Examples



Clamp Arrangements



MDL Demountable Steel Bushings feature bearing quality alloy steel, case hardened. ID is precision ground and hone assuring interchangeability with Guide Posts.

Shoulder face and OD are ground in the same operation over an arbor to guarantee the concentricity and perpendicularity of the Bushings.

MDL Demountable Bronze Plated Bushings are manufactured using the same material and process as the steel bushings being electrolytic plated with Bronze before the honing operation.

The plating thickness is approximately 0.015mm which assures the low coefficient of friction of the bronze with the rigidity of the steel.

0 - 100 Strokes/min = Steel-Steel
100 - 200 Strokes/min = Steel-Bronze